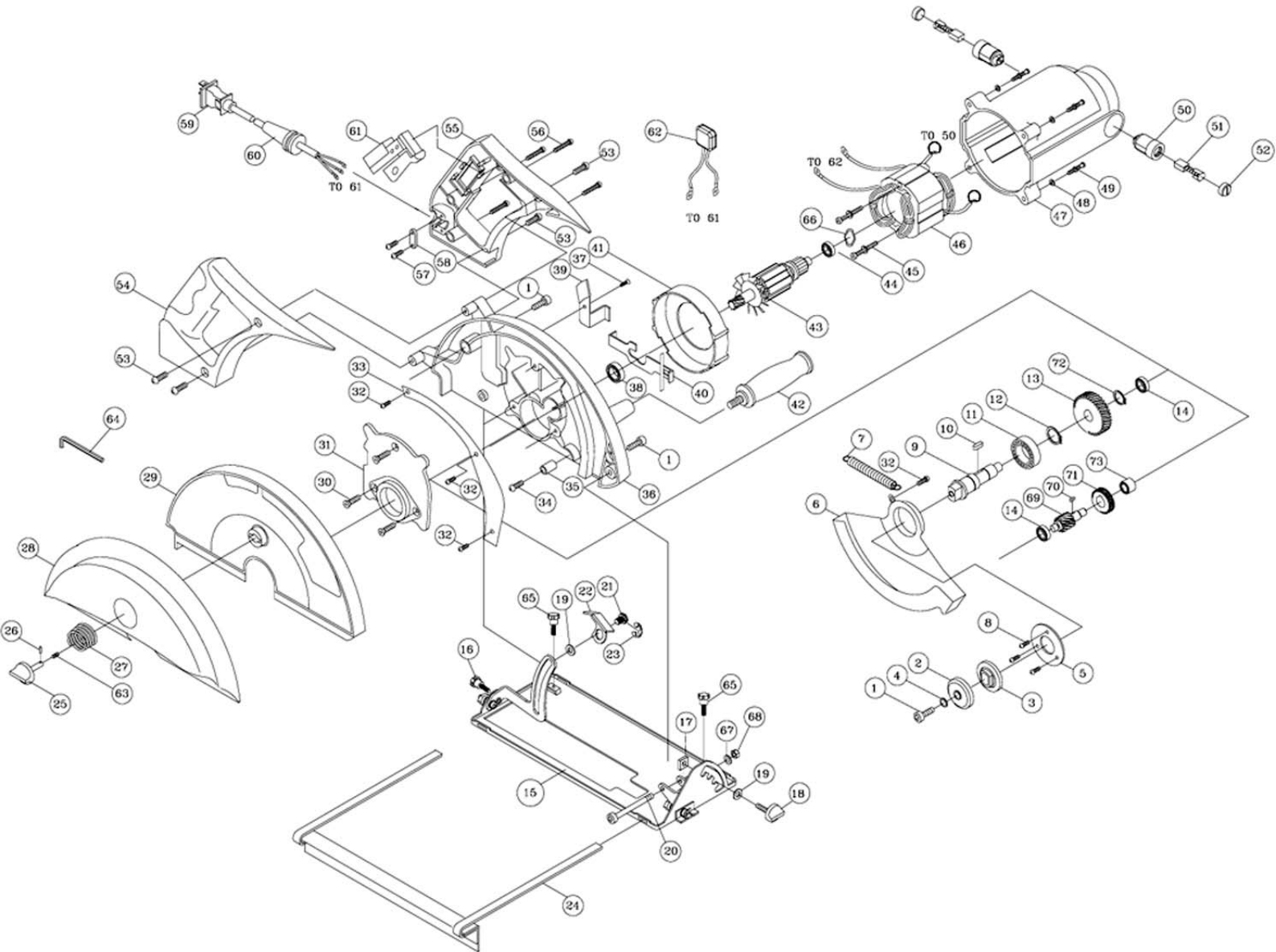


# JEPSON<sup>®</sup>

## Hand Dry Cutter 8230

## Technical drawing 1/1



Pos.	Art no.	QTY'	Parts Name
1	HDC230 01	3	ARBOR BOLT M8x16
2	HDC230 02	1	OUTER ARBOR FLANGE
3	HDC230 03	1	INNER FLANGE (M20, M30, 1" or 5/8" available)
4	HDC230 04	1	FLAT WASHER M8x20x3
5	HDC230 05	1	BEARING COVER PLATE
6	HDC230 06	1	LOWER RETRACTING BLADE GUARD
7	HDC230 07	1	SPRING
8	HDC230 08	3	PAN HEAD SCREW M4x8
9	HDC230 09	1	SPINDLE
10	HDC230 10	1	WOODRUFF KEY M5x5x12
11	HDC230 11	1	BALL BEARING 6202 2RS
12	HDC230 12	1	CIRCLIP S-15
13	HDC230 13	1	OUTPUT GEAR 31T
14	HDC230 14	2	BALL BEARING 608 ZZ
15	HDC230 15	1	BASE
16	HDC230 16	1	THUMB SCREW M5x10
17	HDC230 17	1	BEVEL LOCKING BLOCK
18	HDC230 18	1	BEVEL LOCK KNOB M8x12
19	HDC230 19	2	FLAT WASHER M8x20x1
20	HDC230 20	1	SCREW M6x40
21	HDC230 21	1	DEPTH LOCK PIN
22	HDC230 22	1	DEPTH LOCK LEVER
23	HDC230 23	1	E-CLIP E10
24	HDC230 24	1	RIP FENCE
25	HDC230 25	1	COVER LOCK KNOB
26	HDC230 26	1	PIN M4x14
27	HDC230 27	1	SPRING
28	HDC230 28	1	OUTER BLADE COVER
29	HDC230 29	1	INNER BLADE COVER
30	HDC230 30	3	FLAT HEAD SCREW M5x12
31	HDC230 31	1	GEAR PLATE
32	HDC230 32	4	PAN HEAD SCREW M4x6
33	HDC230 33	1	DUST COVER PLATE
34	HDC230 34	1	PAN HEAD SCREW M6x16
35	HDC230 35	1	BUMP STOP
36	HDC230 36	1	MAIN BODY CASTING
37	HDC230 37	1	SCREW M4x8
38	HDC230 38	1	BALL BEARING 6201 2RS
39	HDC230 39	1	MOTOR CABLE COVER PLATE
40	HDC230 40	1	BLADE LOCK LEVER
41	HDC230 41	1	FAN SHROUD
42	HDC230 42	1	SIDE HANDLE
43	HDC230 43	1	ARMATURE
44	HDC230 44	1	BALL BEARING 6200 ZZ
45	HDC230 45	2	PAN HAEAD SCREW W/SPRING WASHER M5x60
46	HDC230 46	1	STATOR
47	HDC230 47	1	MOTOR HOUSING
48	HDC230 48	4	FLAT WASHER M5x12x1
49	HDC230 49	4	PAN HAEAD SCREW W/SPRING WASHER M5x30
50	HDC230 50	2	BRUSH HOLDER M7x17
51	HDC230 51	2	CARBON BRUSH M7x17
52	HDC230 52	2	BRUSH CAP
53	HDC230 53	4	SCREW M5x16
54	HDC230 54	1	MAIN HANDLE HALF (RH)
55	HDC230 55	1	MAIN HANDLE HALF (LH)
56	HDC230 56	4	PAN HAEAD SCREW M4x25
57	HDC230 57	2	PAN HAEAD SCREW M4x14
58	HDC230 58	1	CORD CLIP
59	HDC230 59	1	POWER SUPPLY CORD
60	HDC230 60	1	CORD ARMOR
61	HDC230 61	1	SWITCH
62	HDC230 62	1	EMC CAPACITOR UNIT
63	HDC230 63	1	SET SCREW M4x4
64	HDC230 64	1	HEX WRENCH M6
65	HDC230 65	1	THUMB SCREW M5x16
66	HDC230 66	1	WASHER $\psi$ 29.5
67	HDC230 67	1	FLATE WASHER $\psi$ 6x13x1
68	HDC230 68	1	HEX. NUT M6
69	HDC230 69	1	INTERMEDIATE GEAR 11T
70	HDC230 70	1	WOODRUFF KEY M4x4x8
71	HDC230 71	1	FIRST GEAR 20T
72	HDC230 72	1	CIRCLIP S-14
73	HDC230 73	1	NEEDLE BEARING HK-0810