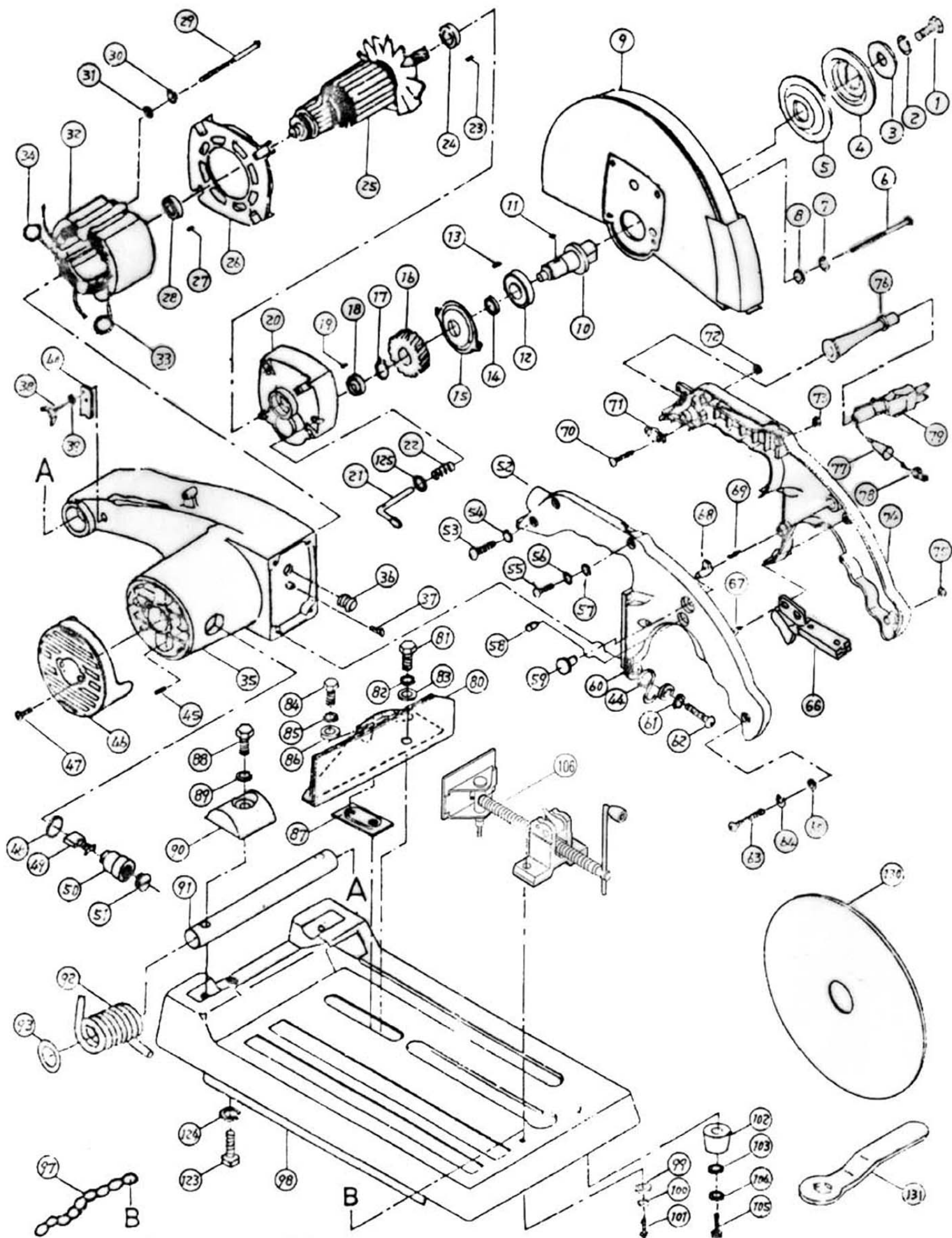


JEPSON

Cutt-off Saw 9515T2

Technical drawing 1/1



ITEM	PART NO	Q'TY used	PART NAME
1	2476025	1	Hex. Hd. Screw M8×25
2	2222080	1	Spring Washer ψ8
3	1209068-1	1	Washer ψ8.5×ψ45
4	1209106	1	Flange
5	1209107-1	1	Flange
6	2413072	4	⊕Pan Hd. Screw M5×72
7	2222050	4	Spring Washer ψ5
8	2223050	4	Flat Washer ψ5
9	1501135	1	Safety Cover Assembly
10	2004092	1	Spindle M8
11	2201007	1	Woodruff Key 5×ψ13
12	606015	1	Ball Bearing 6205LLU
13	1606005	1	Rubber Pin ψ5
14	2106434	1	Sleeve ψ25×ψ31
15	3004055	1	Front Cover
16	1905084	1	Spiral Bevel Gear
17	2203250	1	Retaining Ring C-25
18	603005	1	Ball Bearing N6000-RS
19	1606004	1	Rubber Pin ψ4
20	3002043	1	Inner Cover
21	1209468	1	Spindle Locker
22	2207084	1	Spring
23	1606005	1	Rubber Pin ψ5
24	604013	1	Ball Bearing 6203-VV
25	1801068	1	Armature Assembly (115V)
25	1802068	1	Armature Assembly (230V)
26	1201030	1	Fan Guide
27	1606005	1	Rubber Pin ψ5
28	604010	1	Ball Bearing N6200-2RS
29	2413072	2	⊕Pan Hd. Screw M5×72
30	2222050	2	Spring Washer ψ5
31	2225050	2	Inner Tooth Washer ψ5
32	1001073	1	Field Assembly (115V)
32	1002073	1	Field Assembly (230V)
33	2210005	2	Copper Spring
34	2207043	2	Spring Loop
35	3001029	1	Motor Housing
36	1606023	1	Wire Guard
37	2412010	1	⊕Pan Hd. Screw M4×10
38	2403012	1	Thumb Screw M5×12
39	2222050	1	Spring Washer ψ5
40	1209101	1	Stopper
44	1209067	1	Hanger
45	2442010	2	Hex. Socket No Hd. Screw M
46	1604205	1	Rear Cover
47	2412014	2	⊕Pan Hd. Screw M4×14
48	512005	2	Insulating Washer ψ21.5×ψ30
49	901008	2	Carbon Brush
50	903028	2	Carbon Brush Holder
51	902006	2	Bakelite Nut
53	2413030	1	⊕Pan Hd. Screw M5×30
54	1209045	1	Flat Washer ψ5

Cutt-off Saw 9515T2

ITEM	PART NO	Q'TY used	PART NAME
55	2412018	2	⊕Pan Hd. Screw M4×18
56	2222040	2	Spring Washer ψ4
57	1209044	2	Flat Washer ψ4×ψ7
58	1604211	1	Plug
59	1604309	1	Push Pole
60	1209093	5	Flat Washer ψ6×
61	2222060	4	Spring Washer
62	2414025	4	⊕Pan Hd. Screw M6×25
63	2412028	2	⊕Pan Hd. Screw M4×28
64	2222040	2	Spring Washer ψ4
65	1209044	2	Flat Washer ψ4
66	704079	1	Switch
67	2492012	1	Tapping Screw TS4×12
68	1604310	1	Stopper
69	2207012	1	Spring
70	2492014	2	Tapping Screw TS4×14
71	1604018	1	Strain Relief
72	3301005	1	Hex. Nut M5
73	3301004	2	Hex. Nut M4
74/52	1601032S	1	Switch Handle Set (R+L)
75	3301004	2	Hex. Nut M4
76	1604243	1	Cord Guard (115V)
76	1604242	1	Cord Guard (230V)
77	1606001	1	Clip Cover
78	1209002	1	Grounding Clip
79	1114011	1	Power Supply Cord With Plug (115V)
79	1116011	1	Power Supply Cord With Plug(230V)
80	1209353-1	1	Guide Plate
81	2476020	1	Hex. Hd. Screw M8×20
82	2222080	1	Spring Washer
83	1209354	1	Flat Washer ψ8×ψ11
84	2476020	1	Hex. Hd. Screw M8×20
85	2222080	1	Spring Washer
86	1209354	1	Flat Washer ψ8×ψ11
87	1209355	1	Vise Stop Plate
88	2476035	2	Hex. Hd. Screw M8×35
89	2222080	2	Spring Washer ψ8
90	1209098	1	Pipe Cover
90	1209099	1	Pipe Cover
91	2106095	1	Hinge Core
92	2207016	1	Torsion Spring
93	1209094	2	Flat Washer ψ24×ψ35.5
97	1209477	1	Chain
98	1209424	1	Base
99	2223080	2	Flat Washer ψ8×ψ17
100	2222080	2	Spring Washer ψ8
101	2476020	2	Hex. Hd. Screw M8×20
102	1606110	3	Rubber Foot
103	1209051	3	Flat Washer ψ6×ψ15
104	2222060	3	Spring Washer ψ6
105	2414025	3	⊕Pan Hd. Screw M6×25
106	1501064	1	Vise Assembly
123	2476018	1	Hex. Hd. Screw M8×18
124	2222080	1	Spring Washer ψ8
125	1209473	1	Flat Washer ψ8×ψ11
131	1210013	1	Spanner 13mm