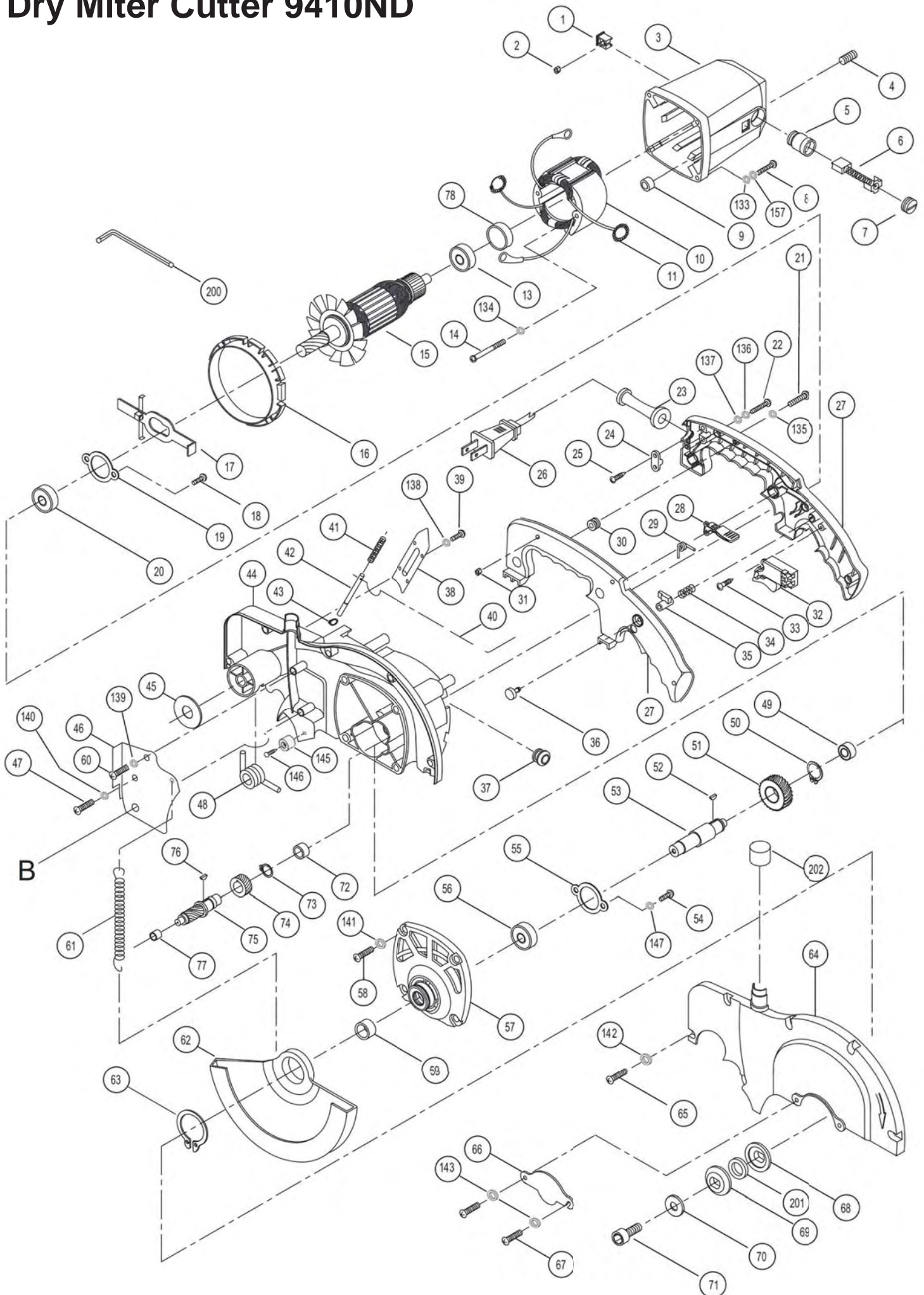
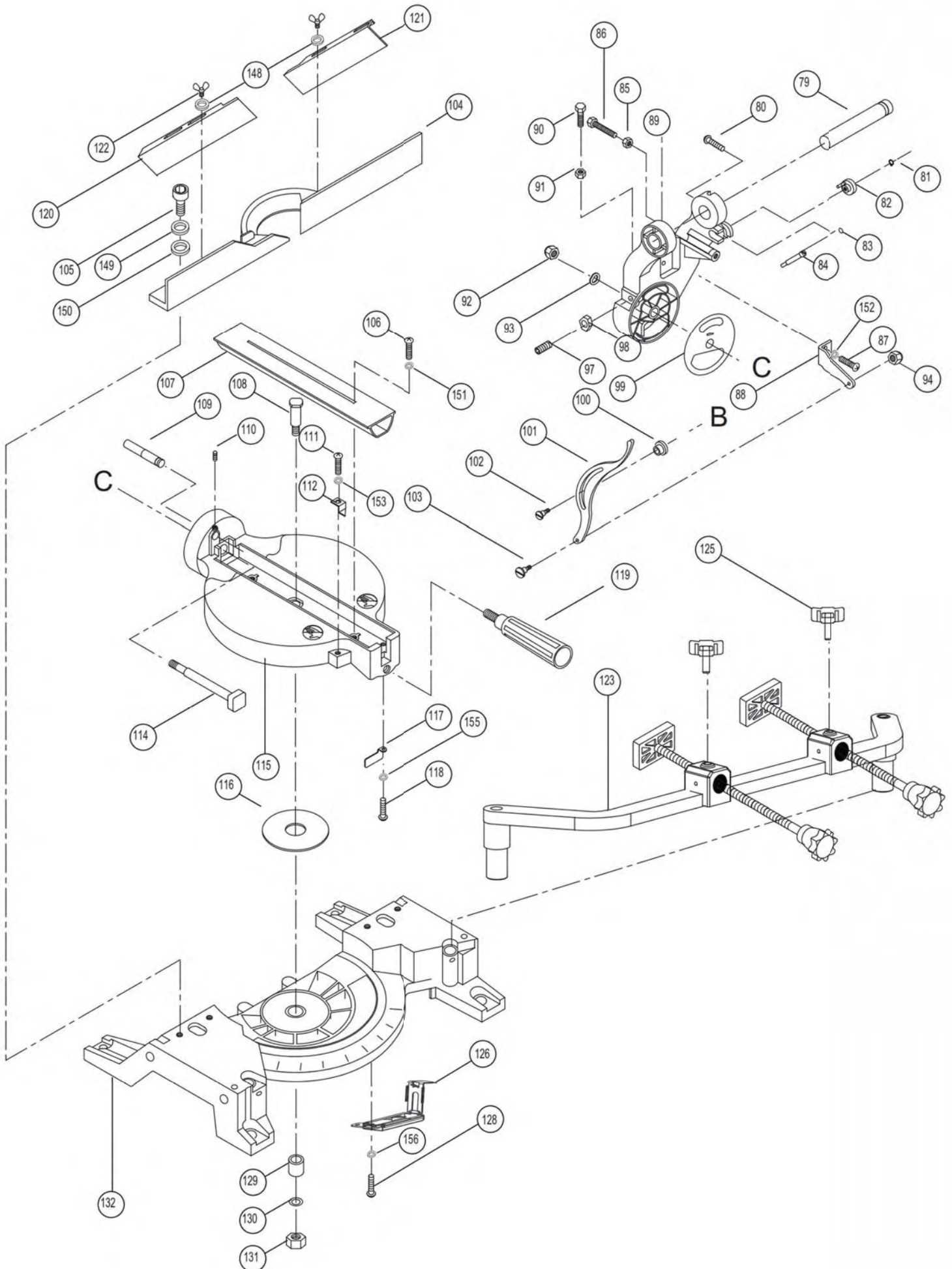


## Dry Miter Cutter 9410ND



## Dry Miter Cutter 9410ND



## Dry Miter Cutter 9410ND

NO	PART NO	Q'TY	PART NAME	NOTE	NO	PART NO	Q'TY	PART NAME	NOTE
1	1604017	2	Nut Housing		45	1209510	2	Washer	
2	3301005	2	Hex. Nut	M5	46	1209508	1	Plate	
3	1607059N	1	Motor Housing		47	2412010	1	Pan Hd. Screw	M4x10
4	F2443010	2	Hex. Socket No Hd. Screw	M5x10	48	2207106	1	Torsion Spring	
5	0903028	2	Carbon Brush Holder		49	F0607005	1	Needle Bearing	HK-1210
6	0901008	2	Carbon Brush	(230V)	50	2203170	1	Retaining Ring	C-17
7	0902006	2	Brush Holder Cap		51	1905111	1	Helical Gear	Ø13x4
8	F2413027	4	Pan Hd. Screw	M5x27	52	F2201006	1	Woodruff Key	
9	F2106322	2	Sleeve		53	2004104	1	Spindle	φ22x96.5
10	1002092E	1	Field Assembly	(230V)	54	2412010	2	Tapping Screw	M4x10
	1001092E	1	Field Assembly	(115V)	55	1202027	1	Bearing Retainer	
11	2210013	2	Brush Holder Spring		56	0606063	1	Ball Bearing	6203LU
13	0602010	1	Ball Bearing	6200ZZ	57	3004085	1	Bearing Box	
14	F2413070	2	Pan Hd. Screw	M5x70	58	2413020	4	Pan Hd. Screw	M5x20
15	F1804070	1	Armature Assembly	(230V)	59	2108040	1	Sleeve	φ22*φ17*17
	1803070	1	Armature Assembly	(115V)	60	2413010	1	Screw	M5x10
16	F1201018	1	Fan Guide		61	2207160	1	Spring	φ4.5*63*φ0.6
17	F1209448	1	Spindle Locker		62	3005156	1	Safely Cover	
18	2422010	2	Counter Sunk Hd. Screw	M4x10	63	2203420	1	Retaining Ring	C-42
19	F1202017	1	Bearing Retainer		64	3005155-1	1	Face Cover	
20	0602007	1	Ball Bearing	6002ZZ	65	2413015	5	Pan Hd. Screw	M5x15
21	2413020	2	Pan Hd. Screw	M5x20	66	1209530	1	Plate	
22	2412023	4	Pan Hd. Screw	M4x23	67	2413008	2	Pan Hd. Screw	M5x8
23	1604242	1	Cord Guard	(230V)	68	F2104050	1	Flange	
24	1604018	1	Strain Relief		69	F2104050	1	Flange	
25	2492014	2	Tapping Screw	TS4x14	70	F2106134	1	Flat Washer	
26	F1104002	1	Power Supply Cord With Plug	(230V)	71	F2106037	1	Screw	M8x20(左牙)
	1114012	1	Power Supply Cord With Plug	(115V)	72	0607014	1	Ball Bearing	HK-0910
27	1601036-1	1	Handle Set	(230V)	73	2203120	1	Retaining Ring	C-12
28	1604273	1	Set Lever	(230V)	75	1906028	1	Gear Shaft	
29	2207101	1	Spring	(230V)	74	1905112	1	Pinion Gear	
30	2106466	2	Wire Guide Wheel	(230V)	76	T2201003	1	Woodruff Key	
31	3301004	4	Hex. Nut	M4	77	0607016	1	Needle Bearing	HK-0709
32	0704105	1	Switch	(230V)	78	1606101	1	Rubber Cup	φ30xφ30x10
33	2492010	2	Tapping Screw	TS4x10	79	2106494	1	Swing Shaft	φ16x122
34	F2207017	1	Spring		80	2412012	1	Pan Hd. Screw	M4x12
35	1604310	1	Stopper		81	2203070	1	Retaining Ring	C-7
36	1604309	1	Push Pole		82	1604300-1	1	Knob	
37	1606023	1	Wire Guide		83	1606168	1	O - Ring	φ6.8xφ10.6xφ1.9
38	1209509	1	Plate		84	2106553	1	Transportation Lock Pin	φ9.9x44
39	2412008	4	Pan Hd. Screw	M4x8	85	3301008	1	Hex. Nut	M8
40	2106470	1	Wire	(230V)	86	2476030	1	Hex. Hd. Screw	M8x30
41	2207107	1	Stopper Spring	(230V)	87	2413015	2	Pan Hd. Screw	M5x15
42	2106495	1	Stopper	(230V)	88	1209531N	1	Support Seat	
43	2203070	1	Retaining Ring	C-7(230V)	89	3005160-2	1	Arm	
44	3005154-1	1	Blade Cover		90	2476030	1	Hex. Hd. Screw	M8x30

## Dry Miter Cutter 9410ND

NO	PART NO	Q'TY	PART NAME	NOTE	NO	PART NO	Q'TY	PART NAME	NOTE
91	3301008	1	Hex. Nut	M8	142	2222050	5	Spring Washer	Ø 5
92	3306012	1	Hex Nut With Plastic Insert	M12	143	2222050	2	Spring Washer	Ø 5
93	2106668	1	Flat Washer	φ12xφ32x6	145	1606227	1	Rubber Stopper	
94	3306005	1	Lock Nut	M5	146	2212035	1	Rivet	
97	2446020	2	Hex. Socket No Hd. Screw	M8x20	147	2222040	2	Spring Washer	Ø 4
98	3301008	1	Hex. Nut	M8	148	1209352	2	Flat Washer	
99	1209520	1	Flat Washer		149	2222080	4	Spring Washer	Ø 8
100	2106487	1	Pilot Wheel	φ6.7xφ9xφ15x7.4	150	2223080	4	Flat Washer	Ø 8
101	1209529	1	Pilot Plate		151	2222050	2	Spring Washer	Ø 5
102	2106675	1	Screw		152	2222050	2	Spring Washer	Ø 5
103	2106674	1	Screw		153	2222040	1	Spring Washer	Ø 4
104	3005219	1	Fence Guide		155	2222040	1	Spring Washer	Ø 4
105	2456025-1	4	Hex. Socket Hd. Screw	M8x25	156	2222050	2	Spring Washer	Ø 5
106	2413008	2	Pan Hd. Screw	M5x8	157	2222050	4	Spring Washer	Ø 5
107	3005220	1	Table Insert		200	F2603060	1	Hex Wrench	6mm
108	2106478	1	Shaft		201	F2108031	1	Sleeve	φ25.4xφ15.9x2
109	2106480-1	1	Locating Pin		202	1604392	1	Blade Cover End Cap	Yellow
110	2442006	1	Hex. Socket No Hd. Screw	M4x6					
111	2412010	1	Pan Hd. Screw	M4x10					
112	1209496	1	Indicate Plate						
114	2106479-2	1	Linking Shaft						
115	3005161-1	1	Disc						
116	1209494	1	Washer						
117	1209489	1	Back-up Plate						
118	2412008	1	Pan Hd. Screw	M4x8					
119	F1602006	1	Side Handle						
120	F3005143	1	Adjusting Plate (L)						
121	F3005142	1	Adjusting Plate (R)						
122	2403012	2	Thumb Screw	M5x12					
123	1501201A	1	Vise Assembly						
125	1604264	2	Wing Nut	M6x15					
126	1501200	1	Detent Plate						
128	2413015	2	Pan Hd. Screw	M5x15					
129	2106492	1	Bushing						
130	1209543	1	Flat Washer	Ø32x12					
131	3306012	1	Hex Nut With Plastic Insert	M12					
132	3005148-1	1	Base						
133	2223050	4	Flat Washer	Ø 5					
134	2222050	2	Spring Washer	Ø 5					
135	2222050	2	Spring Washer	Ø 5					
136	2222040	4	Spring Washer	Ø 4					
137	2223040	4	Flat Washer	Ø 4					
138	2222040	4	Spring Washer	Ø 4					
139	2222050	1	Spring Washer	Ø 5					
140	2222040	1	Spring Washer	Ø 4					
141	2222050	4	Spring Washer	Ø 5					